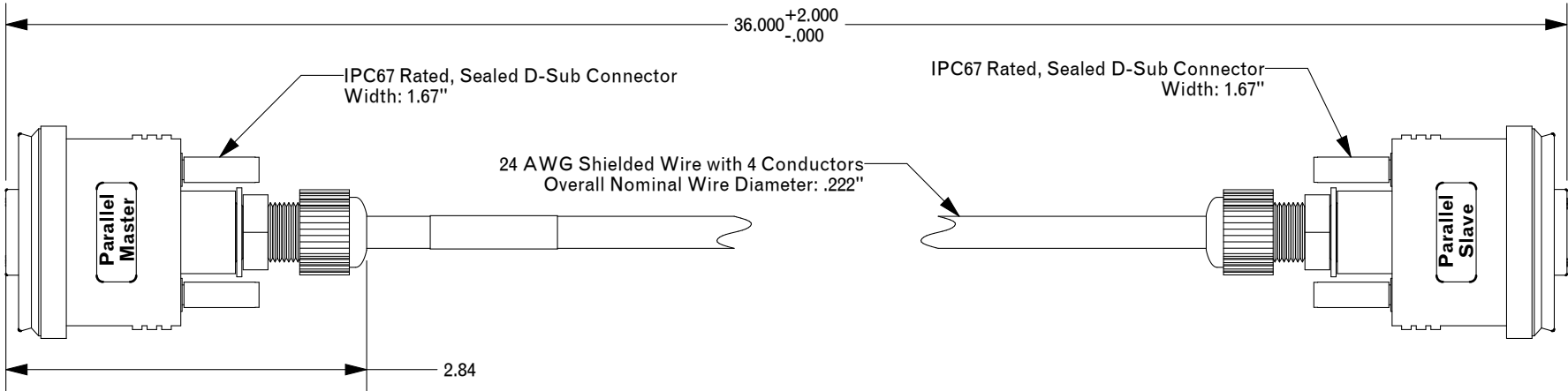


REVISIONS			
REV	DESCRIPTION	DATE	APPROVED
B	FIXED CONNECTOR PER ECO #12-15099	05/23/12	S SHAW
C	ADDED DIMENSIONS PER ECO #12-15212	06/20/12	J.Tichy
D	ADDED WEIGHT PER ECO 13-17281	10/21/13	DS

A

A



B

B

C

C

- Notes:
- REFERENCE SYNQOR SPECIFICATION: 705-1000061
  - WEIGHT: .25lb [.113kg]

**TOLERANCES:**  
 Unless otherwise specified:  
 All dimensions in inches  
 .X +/- .025  
 .XX +/- .010  
 .XXX +/- .005  
 Angles +/- 1°

THIRD ANGLE PROJECTION

THIS DRAWING IS THE PROPERTY OF SYNQOR INC.  
 It is not to be reproduced or copied, in whole  
 or in part, or used for furnishing information  
 to others, or for any purpose detrimental to the  
 interests of SynQor. The information shown herein  
 may be protected by patents owned or controlled by SynQor,

**SynQor** 155 Swanson Road  
 Boxborough, MA 01719

**UPS Configuration Cable  
 2 Units Parallel**

SOURCE: PRO/E CONFIG\_CABLE\_2PARALLEL\_15F-15F

SIZE	DATE	DWG. NO.	REV
<b>A</b>	<b>Jun-28-12</b>	<b>SYN-9311</b>	<b>D</b>

SCALE: 0.750 DRAWN: SJS CHECK: SHEET 1 of 1

1

2

3

4

1

2

3

4